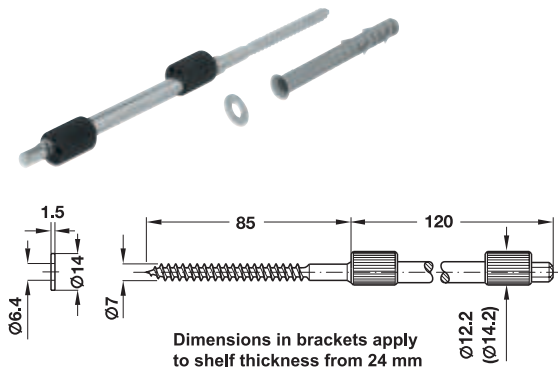


Shelf support

With wood-screw thread and wall plug

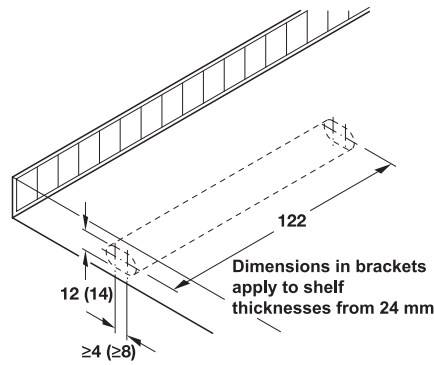


- Material: Steel, eccentric sleeves and wall plug: Polyamide
- Finish: Galvanized
- Colour: Eccentric sleeves: Black, wall plug: Grey
- Version: Support bolt with eccentric sleeve, M6 thread and wall plug
- For shelf thickness: min. 19 or 22 mm
- For shelf depth: max. 300 mm
- Load bearing capacity: 40 – 100 kg/m²
- Adjustment facility: Height and inclination: With eccentric sleeves
- Installation: For mounting in drilled hole (concealed fixing in masonry wall)

Load bearing capacity (with shelf support spacing = max. 700 mm and evenly distributed load)

Shelf depth mm	max. load bearing capacity kg/m ²
175	100
200	80
225	70
250	60
275	50
300	40

Drilling and routing dimensions in shelf



- Mill lateral hole for accommodating support bolt with elongated hole drilling machine or chain cutter.
- Take eccentric adjusting range into consideration when milling hole for screw-on plate.

Supplied with

- 1 Support bolt
- 2 Pre-mounted eccentric sleeves
- 1 Washer
- 1 S8H 80R Fischer wall plug

For shelf thickness mm	Diameter mm	Adjustment facility	Cat. No.
min. 19	Eccentric: 12.2	Height and inclination: ±1	283.32.014
min. 22	Eccentric: 14.2	Height and inclination: ±2	283.32.023

Packing: 20 pieces